

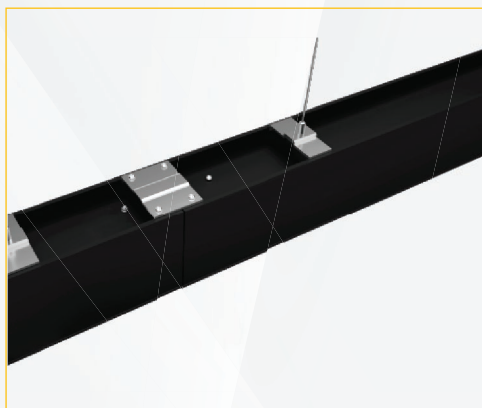
DATA SHEET



BLACK LED LINEAR LIGHT 36W 1200MM



| AVAILABLE MODELS | |
|------------------|--------|
| Color Temp | REF No |
| 3000K | 907466 |
| 4000K | 907467 |
| 6000K | 907468 |



DATA SHEET



BLACK LED LINEAR LIGHT 36W 1200MM

ELECTRICAL DATA

| | |
|-----------------------|------------|
| Wattage (Consumption) | 36W |
| Voltage | AC200-240V |
| Power Factor | ≥0,5 |

PHOTOMETRICAL DATA

| | |
|-----------------------------|-------------------------|
| Temperature (Kelvin) | 3000K, 4000K, 6000K |
| Light color | White |
| Luminous efficiency | 110LM/W / 120LM/W |
| Lumen | 3960LM±10% / 4320LM±10% |
| Beam angle | 120° |
| Color Rendering Index (CRI) | ≥0,80 |

CAPABILITIES

| | |
|----------|----|
| Dimmable | No |
|----------|----|

LIFESPAN & WARRANTY

| | |
|----------|------------|
| Lifespan | 50.000 hrs |
| Warranty | 5 years |

DIMENSIONS & PACKAGING

| | |
|--------------------|-----------------|
| Product Dimensions | L1198*W55*H75mm |
| Inner box | 1 piece |
| Outer box | 10 pieces |

ADDITIONAL INFORMATION

| | |
|---------------|---------------------------|
| Housing color | Black |
| IP Rating | IP20 |
| Housing color | Aluminium & polycarbonate |
| Certificates | CE & ROHS |

AVAILABLE MODELS

| Color Temp | REF No |
|------------|--------|
| 3000K | 907466 |
| 4000K | 907467 |
| 6000K | 907468 |



DATA SHEET

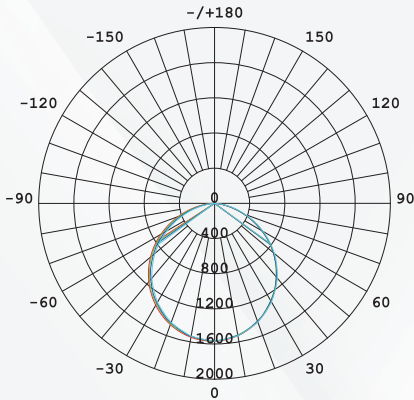


BLACK LED LINEAR LIGHT 36W 1200MM

TEST REPORT

IETM NO.:SLL-36WSMD 1.2M

LUMINOUS INTENSITY DISTRIBUTION DIAGRAM

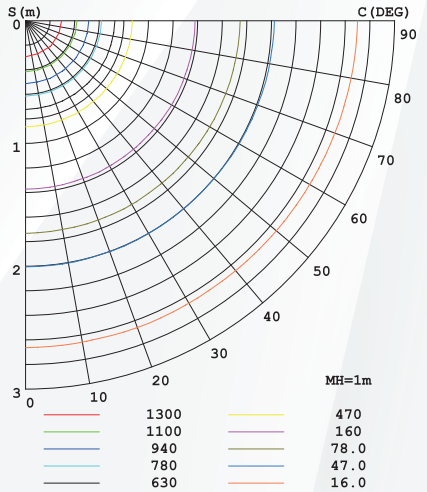


AVERAGE BEAM ANGLE (50%) :107.3 DEG

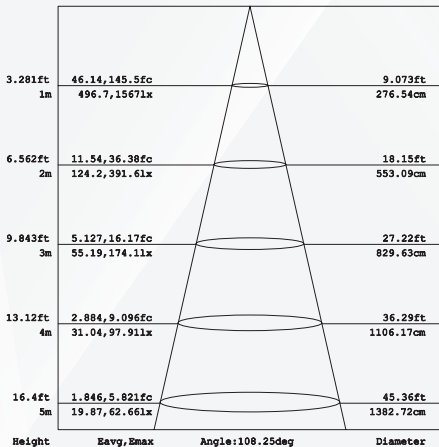
UNIT: cd

- C0/180, 108.7deg
- C30/210, 107.6deg
- C60/240, 106.7deg
- C90/270, 106.2deg

PLANAR ISOLUX DIAGRAM (UNIT: 1X)



Flux out:3067 lm

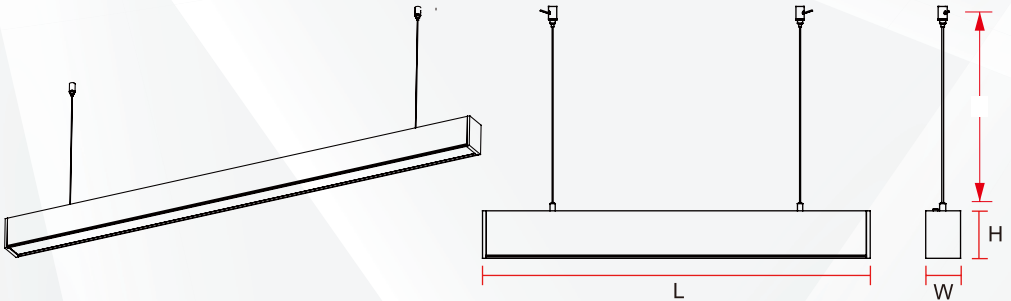


Note: The Curves indicate the illuminated area and the average illumination when the luminaire is at different distance.

DATA SHEET



BLACK LED LINEAR LIGHT 36W 1200MM



| ITEM NO. | POWER | PRODUCT SIZE(L*W*H) | SUSPENSION LENGTH(SL) |
|------------|-------|---------------------|-----------------------|
| SLL-18WSMD | 18W | L588*W55*H75mm | 1000mm |
| SLL-36WSMD | 36W | L1198*W55*H75mm | 1000mm |
| SLL-48WSMD | 48W | L1498*W55*H75mm | 1000mm |

Suspension length 1000mm is standard configuration, Other lengths can be customized.

MANUAL INSTRUCTION



Safety Notice:

- 1 Installation should be done by registered electricians.
- 2 Never touch the working luminaire
- 3 In any case of malfunction, switch off the power supply immediately, and do not try to repair it yourself.
- 4 Repairment should only be done by registered electricians or official service agent.

Included



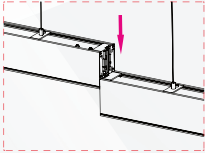
Not Included



DATA SHEET

BLACK LED LINEAR LIGHT 36W 1200MM

If In Series



| Item No. | Connection / Qty Max(pcs) |
|------------|---------------------------|
| SLL-18WSMD | 40 |
| SLL-36WSMD | 20 |
| SLL-48WSMD | 16 |

This connection QTY refers to the case of direct 1 cable line, If more lamps need to be connected in series, just connect a few more wires; It is recommended that the load of one input line be less than 800W.

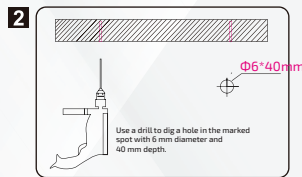


WARNING
Switch off the power supply before installation

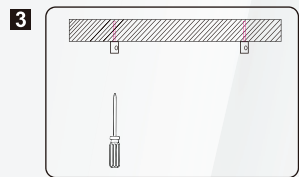
Suspending



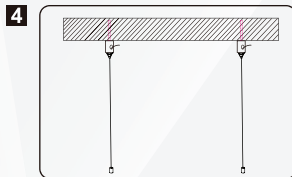
Step 1: Take the kit out of the box;



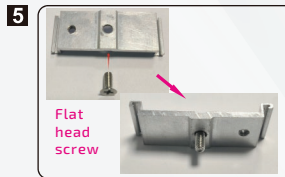
Step 2: Drill holes in the installation position;



Step 3: Attach the ceiling holder to the ceiling with long screws;



Step 4: Thread the wire rope into the top seat and tighten the wire lock on the top seat;



Step 5: Screw the flat head to the small aluminum piece;



Step 6: Remove the protective cover from the side of the light fixture by hand, and then insert the small aluminum sheet;